

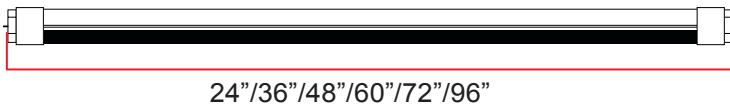
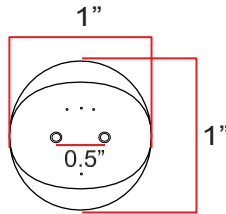
INTEGRATED FIXTURE

AC Direct Line Voltage

The LED Integrated fixture with internal driver is used for general illumination for homes, offices, restaurants, hotels, malls, buses, trains, warehouses, parking lots, or wherever accent lighting is required.



DIMENSIONS



CERTIFICATIONS



FEATURES

- Energy savings up to 70%
- No infrared rays, no ultraviolet radiation. and no thermal effect
- Soft and wide light emitting
- Minimize labor and recycling costs
- Special circuit design, avoiding the single broken LED influence problem
- UL Type B (luminaire ambient fixture)
- Instant start without flickering, humming, or RF interference
- High efficiency constant current drive system
- Heat protection system allows performance under unstable voltage
- 5 Year Manufacturer's Warranty

COMMON TECHNICAL DATA

Color Temperature	3000K to 5000K
Beam Angle	120° Frosted Lens 150° Clear Lens
CRI	>80
Operation Temperature	-20°C to 50°C
Lumen efficiency	140 LPW
Input Voltage	AC100-277V / AC100-347V
Frequency	50-60Hz
Power Supply Efficiency	90%
Rated Life	50,000 hrs.
Power Factor	More than 0.99
LED Type	SMD 2835
Housing	Aluminum Clear or Frosted Lens

WARRANTY

This product has a warranty for a period of 5 years from the date of purchase. The warranty is invalid in the case of improper installation, tampering, or removal of the Q.C. date label. Installation in an improper working environment or installation not according to the current edition of the National Electric Code also invalidates the warranty. Should this product fail during the warranty period, it will be replaced free of charge, subject to correct installation and return of the faulty unit. James® does not accept responsibility for any installation costs associated with the replacement of this product. This warranty is in addition to the statutory rights in the country of purchase. James® reserves the right to alter specifications without prior notice.

INTEGRATED FIXTURE

AC Direct Line Voltage

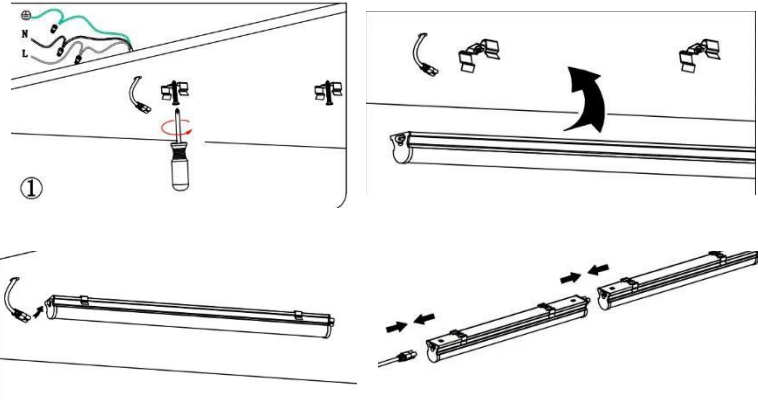
PRODUCT SPECIFICATION

Model Number	Housing	Length	Wattage	Color	Lumens	Input Voltage
ZY-T8-10W600 BINS FIXTURE	Aluminum & Plastic	24"	10W	3000K-5000K	1250	AC100-277V/100-347V
ZY-T8-10W900 BINS FIXTURE	Aluminum & Plastic	36"	10W	3000K-5000K	1250	AC100-277V/100-347V
ZY-T8-12W1200 BINS FIXTURE	Aluminum & Plastic	48"	12W	3000K-5000K	1500	AC100-277V/100-347V
ZY-T8-15W1200 BINS FIXTURE	Aluminum & Plastic	48"	15W	3000K-5000K	1875	AC100-277V/100-347V
ZY-T8-18W1200 BINS FIXTURE	Aluminum & Plastic	48"	18W	3000K-5000K	2250	AC100-277V/100-347V
ZY-T8-22W1200 BINS FIXTURE	Aluminum & Plastic	48"	22W	3000K-5000K	2750	AC100-277V/100-347V
ZY-T8-22W1500 BINS FIXTURE	Aluminum & Plastic	60"	22W	3000K-5000K	2750	AC100-277V/100-347V
ZY-T8-31W1800 BINS FIXTURE	Aluminum & Plastic	72"	31W	3000K-5000K	3875	AC100-277V/100-347V
ZY-T8-31W2400 BINS FIXTURE	Aluminum & Plastic	96"	31W	3000K-5000K	3875	AC100-277V/100-347V
ZY-T8-40W2400 BINS FIXTURE	Aluminum & Plastic	96"	40W	3000K-5000K	5000	AC100-277V/100-347V

INSTALLATION INSTRUCTIONS

Retrofit Procedure:

1. Turn OFF power to the fixture at the breaker panel before installation.
2. Fix power wire and clips to the ceiling or wall
3. Snap fixture into clips. Ensure they are secured in place.
4. Connect tubes male end into female end
5. One power connector can connect 20pcs or less for 22W and wattages under
6. One power connector can connect 10pcs or less for 22W + and wattages over
7. Once all tubes are connected, connect power cord to single tube



CAUTION

- Risk of fire- do not install this lamp in a pre-heated luminaire.
- Loose or damaged end caps and/or lamp holders need to be replaced before installation.
- Risk of electric shock- make installation with gloves.
- Use only in place of fluorescent lamps specified on label.
- These lamps are not intended for use with emergency exist fixtures, emergency exit lights or battery backup devices.
- LED tube is powered from one end (Single-ended power); the other end is NOT live and only serves to secure and mount LED tube in the sockets.
- These lamps are not to be used with a light dimmer.
- If the lamp or luminaire exhibits undesirable operation (i.e. buzzing, flickering, etc.), immediately turn off power and remove the lamp from luminaire and contact manufacturer.
- Do not install an LED tube into luminaire containing a ballast and/or starter- they must be removed prior to installation.
- Do not make mass installation before sample testing.