

LED T8 TUBE

AC Direct Line Voltage



The LED T8 Tube with internal driver is used for general illumination for homes, offices, restaurants, hotels, malls, buses, trains, warehouses, parking lots, or wherever accent lighting is required.

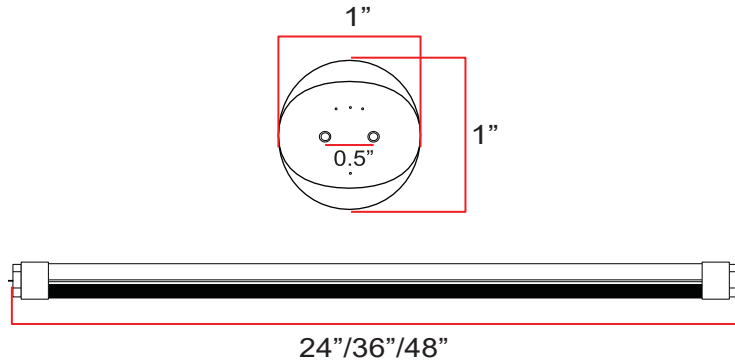


-Aluminum & Plastic (Clear/Frosted Available)

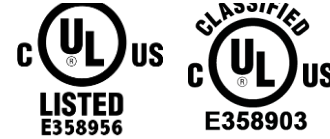


-Nano All Plastic Lens

DIMENSIONS



CERTIFICATIONS



FEATURES

- Energy savings up to 70%
- No infrared rays, no ultraviolet radiation. and no thermal effect
- Works only on non-shunted sockets
- Soft and wide light emitting
- Minimize labor and recycling costs
- Special circuit design, avoiding the single broken LED influence problem
- UL Type B
- Instant start without flickering, humming, or RF interference
- High efficiency constant current drive system
- Heat protection system allows performance under unstable voltage
- 5 Year Manufacturer's Warranty

COMMON TECHNICAL DATA

| | |
|-------------------------|--|
| Color Temperature | 3000K to 5000K |
| Beam Angle | 120° (Aluminum) 320° (Nano Plastic) |
| CRI | >80 |
| Operation Temperature | -20°C to 50°C |
| Lumen efficiency | 140 LPW |
| Input Voltage | AC100-277V / AC100-347V |
| Frequency | 50-60Hz |
| Power Supply Efficiency | 90% |
| Rated Life | 50,000 hrs. |
| Power Factor | More than 0.99 |
| LED Type | SMD 2835 |
| Housing | Aluminum Nano All Plastic Lens |

WARRANTY

This product has a warranty for a period of 5 years from the date of purchase. The warranty is invalid in the case of improper installation, tampering, or removal of the Q.C. date label. Installation in an improper working environment or installation not according to the current edition of the National Electric Code also invalidates the warranty. Should this product fail during the warranty period, it will be replaced free of charge, subject to correct installation and return of the faulty unit. James® does not accept responsibility for any installation costs associated with the replacement of this product. This warranty is in addition to the statutory rights in the country of purchase. James® reserves the right to alter specifications without prior notice.

PRODUCT SPECIFICATION

| Model Number | Housing | Length | Wattage | Color | Lumens | Input Voltage |
|--------------------|--------------------|--------|---------|-------------|--------|---------------------|
| ZY-T8-10W600 BINS | Aluminum & Plastic | 24" | 10W | 3000K-5000K | 1250 | AC100-277V/100-347V |
| ZY-T8-10W900 BINS | Aluminum & Plastic | 36" | 10W | 3000K-5000K | 1250 | AC100-277V/100-347V |
| ZY-T8-12W1200 BINS | Aluminum & Plastic | 48" | 12W | 3000K-5000K | 1500 | AC100-277V/100-347V |
| ZY-T8-15W1200 BINS | Aluminum & Plastic | 48" | 15W | 3000K-5000K | 1875 | AC100-277V/100-347V |
| ZY-T8-18W1200 BINS | Aluminum & Plastic | 48" | 18W | 3000K-5000K | 2250 | AC100-277V/100-347V |
| ZY-T8-22W1200 BINS | Aluminum & Plastic | 48" | 22W | 3000K-5000K | 2750 | AC100-277V/100-347V |
| ZY-T8-22W1500 BINS | Aluminum & Plastic | 60" | 22W | 3000K-5000K | 2750 | AC100-277V/100-347V |
| ZY-T8-31W1800 BINS | Aluminum & Plastic | 72" | 31W | 3000K-5000K | 3875 | AC100-277V/100-347V |
| ZY-T8-31W2400 BINS | Aluminum & Plastic | 96" | 31W | 3000K-5000K | 3875 | AC100-277V/100-347V |
| ZY-T8-40W2400 BINS | Aluminum & Plastic | 96" | 40W | 3000K-5000K | 5000 | AC100-277V/100-347V |

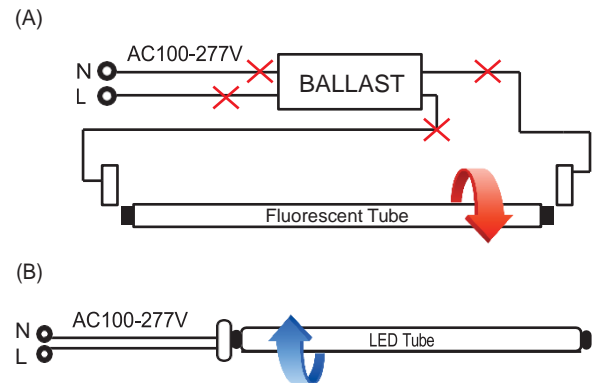
ORDERING GUIDE

| | | | | | | | |
|--------------|--------------|---------|--------------|----------|-----------------|------------|-------------|
| ZY | T8/T8P | | 600/900/1200 | B | I | NS | 3000K-5000K |
| Company Code | Housing Type | Wattage | Length | 2835 LED | Internal Driver | Input Type | CCT |

INSTALLATION INSTRUCTIONS

Retrofit Procedure:

1. Turn OFF power to the fixture at the breaker panel before installation.
2. Open the diffuser from the light fixture.
3. Remove the fluorescent tubes and dispose of these properly as they may contain mercury.
4. Cut wires as shown on diagram (A).
5. Make new wire connection to the branch circuit as shown on diagram (B).
6. Replace the cover over the wiring channel.
7. Install the LED tubes and close the diffuser.
8. Switch ON power to the fixture at the breaker panel



CAUTION

- Risk of fire- do not install this lamp in a pre-heated luminaire.
- Loose or damaged end caps and/or lamp holders need to be replaced before installation.
- Risk of electric shock- make installation with gloves.
- Use only in place of fluorescent lamps specified on label.
- These lamps are not intended for use with emergency exist fixtures, emergency exit lights or battery backup devices.
- LED tube is powered from one end (Single-ended power); the other end is NOT live and only serves to secure and mount LED tube in the sockets.
- These lamps are not to be used with a light dimmer.
- If the lamp or luminaire exhibits undesirable operation (i.e. buzzing, flickering, etc.), immediately turn off power and remove the lamp from luminaire and contact manufacturer.
- Do not install an LED tube into luminaire containing a ballast and/or starter- they must be removed prior to installation.
- Do not make mass installation before sample testing.