

# LED AREA LIGHT

Shoe Box Replacement



The LED Area Light is ideal for replacing Shoe Box Lights that are used for illuminating areas and suited for harsh environment applications.



60W/100W

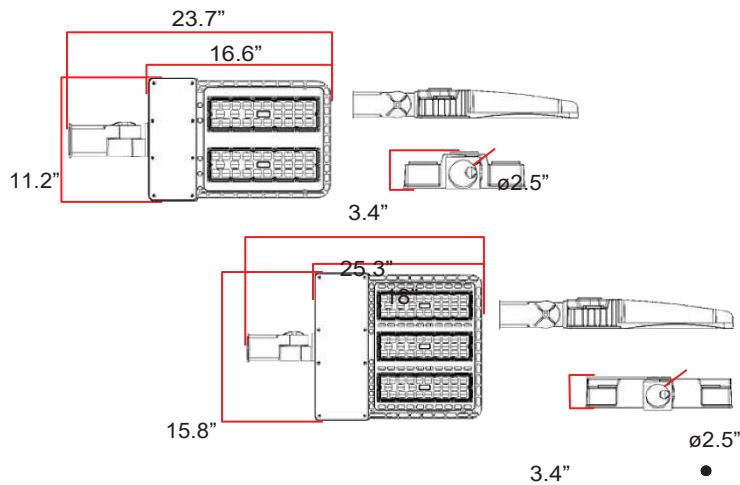


150W/200W



300W

## DIMENSIONS



## CERTIFICATIONS



## FEATURES

- Stainless steel clips
- Optional 100% DR lens additive for impact resistance
- Built-in Constant Current LED Driver with High Efficient LED Module
- Suitable for damp or dry environments
- Excellent light distribution and uniformity
- Suitable for surface mounting
- Stainless Steel Clips
- **Rated IP65**
- 5 Year Manufacturer's Warranty
- Photocell Sensor options available
- Slip fitter, Arm Mount & Trunnion mounting options available

## WARRANTY

This product has a warranty for a period of 5 years from the date of purchase. The warranty is invalid in the case of improper installation, tampering, or removal of the Q.C. date label. Installation in an improper working environment or installation not according to the current edition of the National Electric Code also invalidates the warranty. Should this product fail during the warranty period, it will be replaced free of charge, subject to correct installation and return of the faulty unit. James@ does not accept responsibility for any installation costs associated with the replacement of this product. This warranty is in addition to the statutory rights in the country of purchase. James@ reserves the right to alter specifications without prior notice.

## COMMON TECHNICAL DATA

Color Temperature	3000K-5000K
Viewing Angle	Type II, Type III, Type VS
Color Consistency	4 steps
CRI	More than 80
Operation Temperature	-20° C to 45° C
Efficiency	More than 110LPW
Input Voltage	100-277VAC / 277-480VAC
Frequency	50-60Hz
Power Factor	More than 0.99
Rated Life	50,000 hours
LED Type	SMT 2835
Housing	Aluminum

# LED AREALIGHT

Shoe Box Replacement



## PRODUCT SPECIFICATION

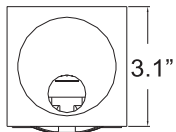
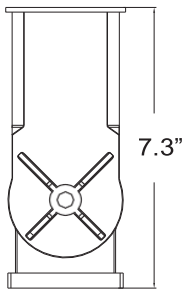
Product Number	Watt	CCT	Lumens	Housing	Viewing Angle	Dimensions
						Length x Width x Height
ZY-SB-60W27	60W	3000K-5000K	7670	Aluminum	Type II, Type III, Type VS	23.7" x 11.2" x 3.4"
ZY-SB-100W27	100W	3000K-5000K	11000	Aluminum	Type II, Type III, Type VS	23.7" x 11.2" x 3.4"
ZY-SB-150W27	150W	3000K-5000K	17300	Aluminum	Type II, Type III, Type VS	23.7" x 11.2" x 3.4"
ZY-SB-200W27	200W	3000K-5000K	22100	Aluminum	Type II, Type III, Type VS	23.7" x 11.2" x 3.4"
ZY-SB-300W27	300W	3000K-5000K	33500	Aluminum	Type II, Type III, Type VS	25.3" x 15.8" x 3.4"

## ORDERING GUIDE

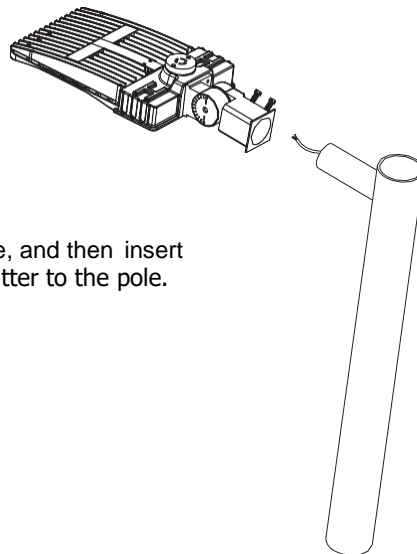
ZY	SB	60W/100W/150W/200W/300W	27
Company Code	Product Code	Wattage	AC Input Voltage

## MOUNTING GUIDE

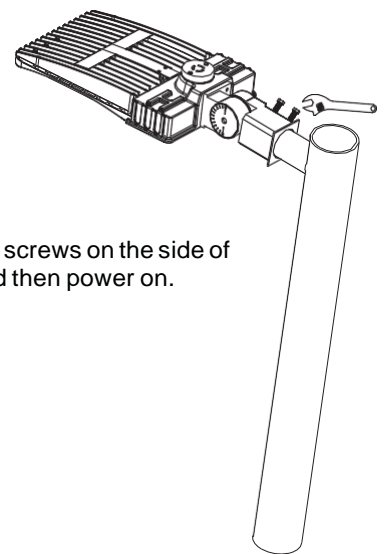
Slip Fitter Mounting:



**Step 1**  
Connect the AC wire, and then insert the arm of the slip fitter to the pole.



**Step 2**  
Tighten the screws on the side of the arm and then power on.



## CAUTION

- Avoid fire and electric shock.
- When installing the lighting fixture, please contact an electrician.
- Do not drill holes or change the internal lines when installing.
- Understand the structural features and dimensions of lighting before installation.
- Do not make mass installation before sample testing.