

Nichia 3030
Lumens:>130lm/W

Characteristics

1. MEAN WELL Driver
2. Nichia 3030
3. Long lifespan and Notable energy-saving
4. Convenient installation
5. Healthy Ray, NO UV or IR radiation
6. High CRI
7. High safety Factor
8. With small volume and weight
9. Beam Angle 90°
10. IP65



Phase Change Heat Sink



**Nichia 3030
(LM-80)**



200-480V

Different Beam Angle Reflector



Aluminum 30°



Aluminum 90°

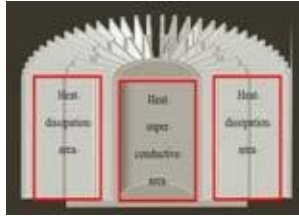


Aluminum 120°

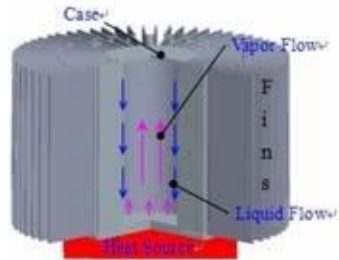


Aluminum 45°

Phase change heat dissipation technology



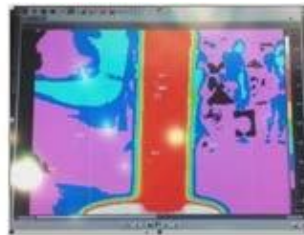
Super conduction and heat dissipation



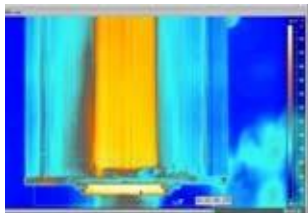
The schematic diagram of the super conduction Radiator



Infrared picture of normal aluminum stick after put in 70°C hot water for 100 secs



Infrared picture of super conductor after putting in hot water of 70°C for 30



Infrared picture of normal aluminum stick after lighting for about 30 minutes



Infrared picture of super conductor after lighting for about 30 minutes

Application

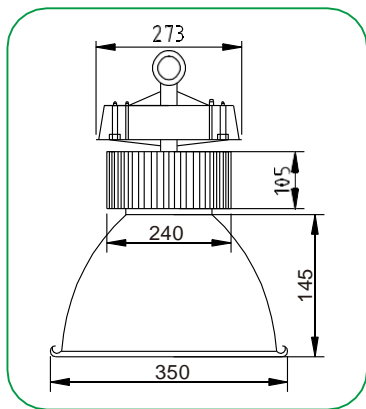
Widely used in Factory, Workshop, Warehouse, Logistics Center Exhibition Hall, Gymnasium, Shipyards, Mining, Gas Station, Supermarket, and Other Places.



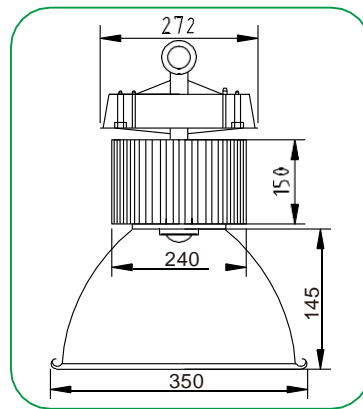
Specification

| | | | | | |
|---------------------|-----------------------------|--------------|--------------|--------------|--------------|
| Model: | EV-H80W MDZ | EV-H120W MDZ | EV-H150W MDZ | EV-H240W MDZ | EV-H320W MDZ |
| Power: | 80W | 120W | 150W | 240W | 320W |
| Light Source: | 3030 | | | | |
| Lumens: | >130lm/w | | | | |
| Color Range: | 5000K | | | | |
| Housing: | AL and PC | | | | |
| Operation Temp.: | -20° C to 45° C 50,000hours | | | | |
| Life Span: | duty cycle | | | | |
| Voltage range: | AC100-277V/200-480V | | | | |
| Frequency: | 50/60Hz | | | | |
| Reflector angle: | 90° | | | | |
| Color index (CRI) : | >80 | | | | |
| PF : | ≥0.95 | | | | |
| Power Efficiency: | ≥90% | | | | |
| Warranty: | 3-5years | | | | |

Dimensions(mm)

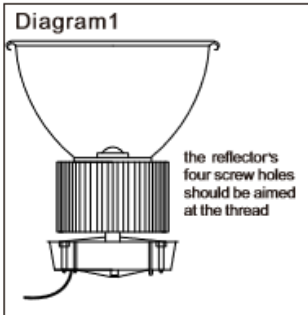


80/100/150/200/240W

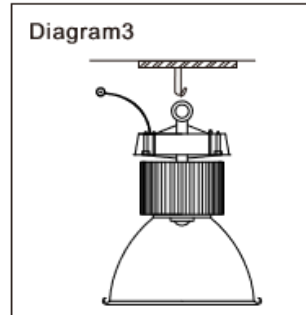
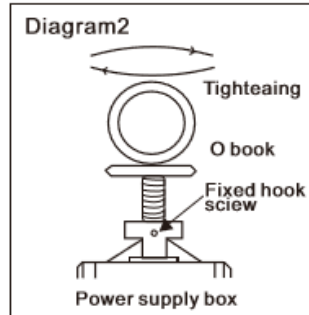


320W

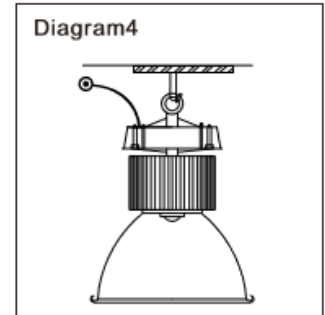
Installation



Ensure all parts and accessories are in the package, including this instruction



Ensure the fixed wall strong enough can bear 30kg



Turn on the power and test

Packaging

| Power | NW(kg) | G W(kg) | Heat Sink Package Size(mm) | Reflector Package Size(mm) |
|-------------|--------|---------|----------------------------|----------------------------|
| 80/100/150W | 6.5kg | 7kg | 300*300*292mm | 485*485*300mm(90°)20pcs |
| 200/240W | 8kg | 8.5kg | 300*300*342mm | |



Warranty

- Only offer 3 year or 5 year warranty or any other warranty period specified in the contract for the product from the date of purchase:
- Invoice or shipment bill is required to claim the warranty.
- The warranty policy only requires manufacturer to repair the defective product or send substitute for replacement.
- Installation labor, electricity cost and other related cost will not be covered by the manufacturer warranty policy.
- Warranty doesn't cover the defect caused by inappropriate use, especially if directions of the instructions for use are not observed, normal abrasion as well as failures which affect the value or use of the product insignificantly.